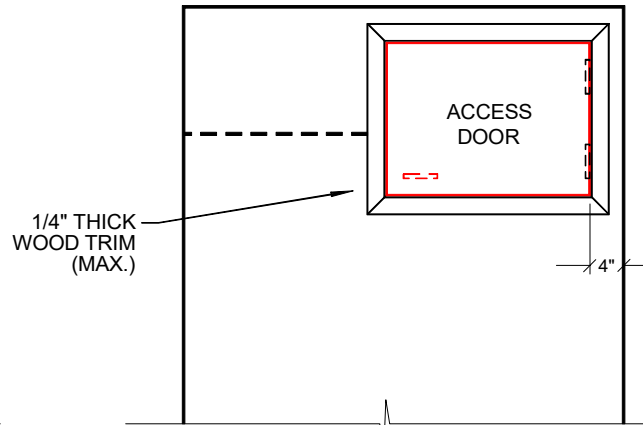
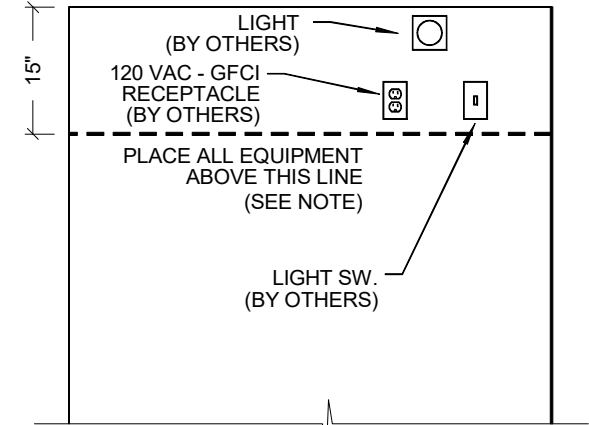


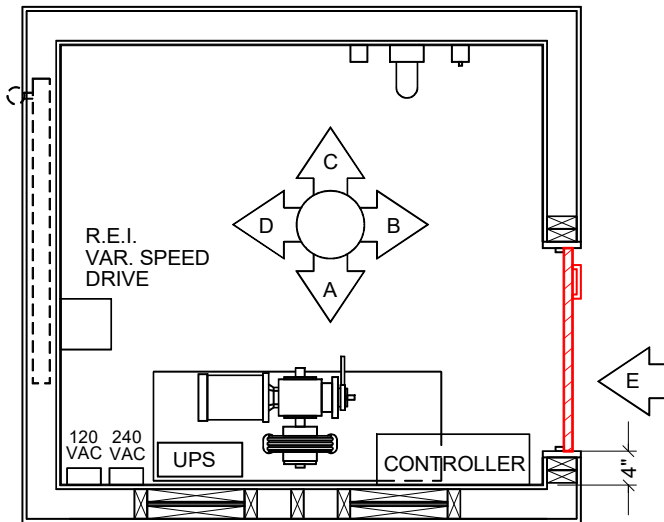
ELEVATION VIEW 'A'



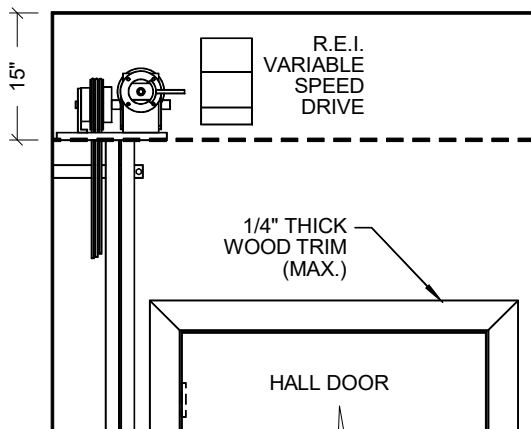
ELEVATION VIEW 'B'



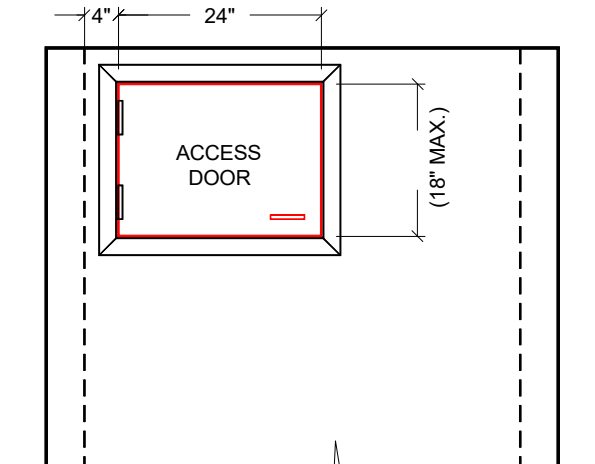
ELEVATION VIEW 'C'



PLAN VIEW



ELEVATION VIEW 'D'



ELEVATION VIEW 'E'

NOTE: LIGHT FIXTURE, LIGHT SWITCH, RECEPTACLE AND ELEC. BOXES CANNOT BE MOUNTED LOWER THAN 15" LINE FROM CEILING.

ALL DIMENSIONS ARE BASED ON 102" OVERHEAD FOR STD. CABS AND 114" OVERHEAD FOR 8'-0" CABS

NOTE: THESE ARE MINIMUM OVERHEAD CLEARANCES. HIGHER CEILINGS WILL ALLOW MORE ROOM FOR DEVICE MOUNTING.

THE INFORMATION CONTAINED HEREIN IS SOLELY OWNED BY RESIDENTIAL ELEVATORS ANY REPRODUCTION IN PART OR AS A WHOLE WITHOUT WRITTEN PERMISSION FROM RESIDENTIAL ELEVATORS IS STRICTLY PROHIBITED.