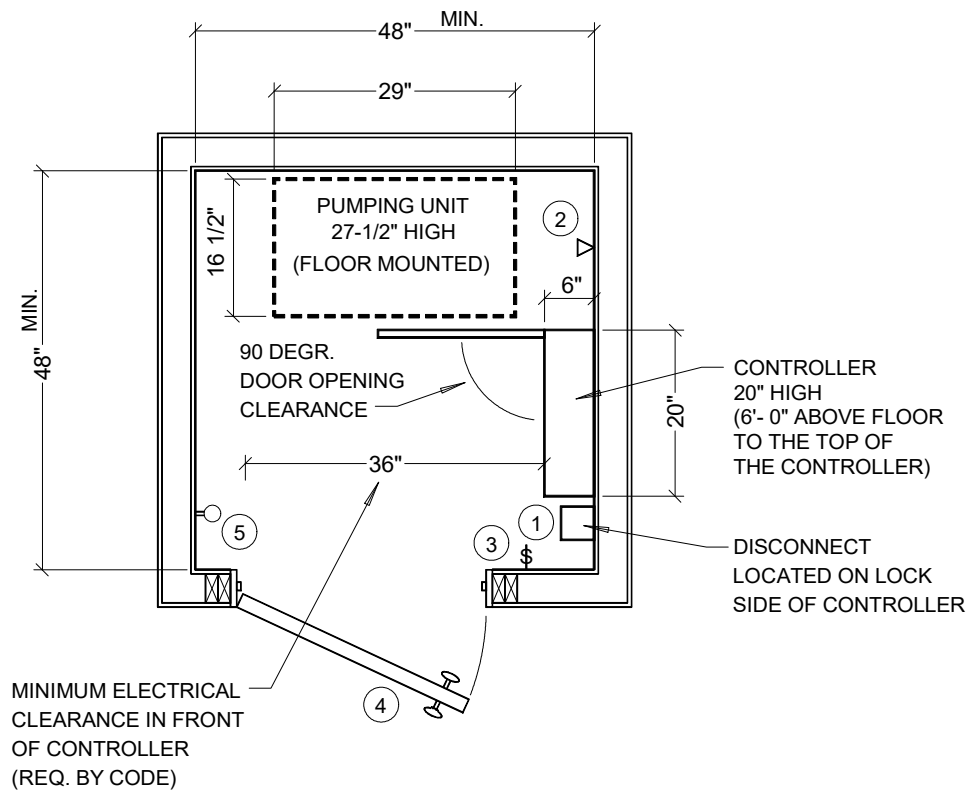


NOTES:

- ① 220 V, 2 POLE, SINGLE PHASE WITH 20 AMP (BY OTHERS.) ALSO, PROVIDE 120 V., OR 15 AMP CIRCUIT BREAKER FOR CAB LIGHTS (BY OTHERS.)
- ② PROVIDE A PHONE LINE TO THE ELEVATOR MACHINE ROOM AND INSTALL IN A 4" x 4" BOX WITH COVER (8' - 10' TAIL MIN.) (BY OTHERS.)
- ③ LIGHT SWITCH TO BE INSTALLED ADJACENT TO LOCK SIDE OF THE DOOR (BY OTHERS.)
- ④ MACHINE ROOM DOOR TO BE A MINIMUM OF 30" WIDE. MACHINE ROOM DOORS TO SWING OUTWARD (BY OTHERS.)
- ⑤ A GFI RECEPTACLE IS TO BE PROVIDED IN THE ELEVATOR MACHINE ROOM / SPACE (BY OTHERS.)
- ⑥ 5'-0" MIN. HEADROOM REQ'D FOR ELEVATED PLATFORM/ STANDS.



STANDARD MACHINE ROOM LAYOUT